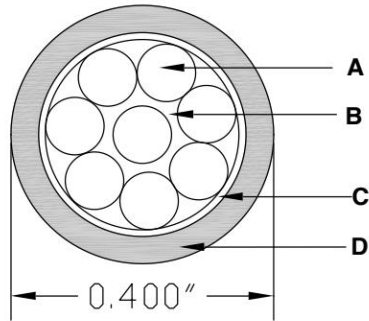
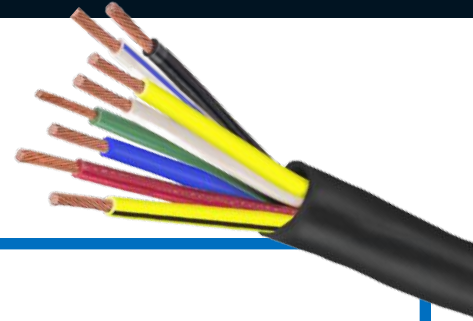


Home Standby Composite Cable

#18/8 Copper Control Cable



CONDUCTOR COLOR CODE

18 AWG

Black, White, Red, Green, Yellow, Blue,
Yellow/Black & White/Blue

COMPONENTS

- A** (8) - #18 AWG Class K (16 strand), soft drawn, bare copper conductors w/15 mils (0.38 mm) heat and moisture resistant, polyvinyl chloride (PVC) insulation and jacketed w/ 4 mils (0.10 mm) nylon applied directly to the surface of the insulation.
- B** Flame resistant non-hygroscopic fillers (as needed).
- C** Mylar binder tape
- D** 45 mils (1.14 mm) of heat and moisture resistant, polyvinyl chloride (PVC) jacket. A ripcord shall be placed underneath the jacket.

SPECIFICATIONS

Conductors: ASTM B 3, ASTM B 8, ASTM B 174

Insulation: ICEA S-73-532 (NEMA WC 57), UL 66 for Type TFFN wires

Jacket: ICEA S-73-532 (NEMA WC 57), UL 1277

ELECTRICAL

Voltage: 600V

PRINT LEGEND

(UL) E60544 POWER AND CONTROL TRAY CABLE TYPE TC-ER-JP 18 AWG (0,82 mm²) 8/C TFFN CONDS 600V OIL RES I SUNLIGHT RESISTANCE DIRECT BURIAL JOIST PULL TCERDirect.com PN TCERJP XXXXX "sequential footage print"

RATINGS

UL Standard: 1277

UL: 1685

UL: TC-ER-JP 600V

NEC/NFPA: 2023 / 336.10(9)

UL: TFFN 600V

The insulation is acceptable for use in locations at 75 °C dry and 75 °C wet. The cable is suitable for use in cable trays, aerial or direct burial installations. The cable is JP rated for installation in accordance with Part II of Article 334.

All products are intended for use by a licensed electrician in compliance with all product information and applicable building codes, laws and regulations. Gen-Pro disclaims any liability for injuries to persons or damage to property arising from the improper installation of this product, installation by non-qualified persons or the use of this product for applications other than as specified. All dimensional data is nominal and subject to normal manufacturing tolerances. The information provided on this specification sheet is for guidance only. Purchasers of this product should consult with a licensed electrician regarding its applicability, use and proper installation.